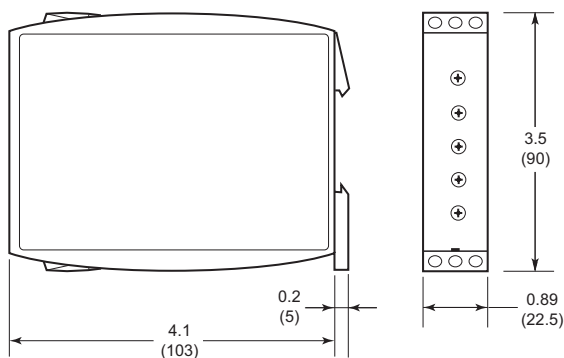




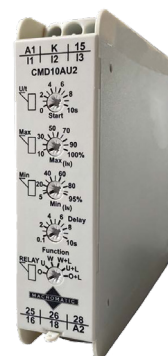
Better. By Design.



Current Sensing Relays CMD Series



Dimensions shown in inches (mm).



Model CMD10A2U uses five rotary switches to select function, pick-up setting, time delay on fault trip, and tripping delay.

Control and Protect Your Equipment and Critical Processes



Current Sensing Relays protect against overloading and equipment failure that results in material loss, downtime, production inefficiency and risk of personal injury. Applications include detecting conveyor jam-ups, machine tool wear, no load conditions, or monitoring the status of HVAC systems and heater or lamp loads.

Model CMD10A2U monitors AC single phase and DC current to detect current fault conditions.

Five user-set functions are available:

Overcurrent, Overcurrent with latch, Undercurrent, Undercurrent with latch, Band (window), Band with latch.

- Compact 22.5 mm enclosure mounts on 35mm DIN-rail
- Universal 24-240V AC/DC control voltage range
- Monitored Current Ranges:
Separate, 5mA-100mA, 50mA-1A, 0.5A-10A
- 5A DPDT output contacts
- Three color LED status indicators

Approvals:



with Appropriate Macromatic Socket